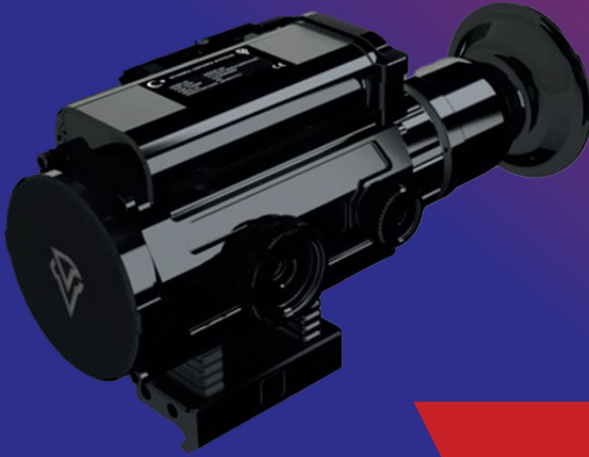


ERGÖRÜ 110 THERMAL WEAPON SIGHT



ISTANBUL
DEFENCE
SYSTEMS



ERGÖRÜ 110 THERMAL WEAPON SIGHT

The main features are:



For Common Use of
Military Personnel



Low weight,
Low cost,
High magnification

CHARACTERISTICS

	Resolution	640 × 512
	Pixel size	12 μm
	Spectral range	8~14 μm
	Frame rate	25Hz
	NETD	≤40mK
	Lens	45mm
	FOV	9.8°×7.8°
	Effective Focal Length (EFL)	45mm
	Imaging distance	30m~+∞
	Focusing	Side focus knob
	OLED	800×600 (0.5)
	Diopter adjustment	-5~+5SD
	Eye relief	43mm
	Digital zoom	1~4x
	Optical zoom	2.83x
	Battery type (not provide)	18650 lithium battery x2
	Battery life	≤12h
	Weight	≤700g
	Switch -on time	≤10s
	Dimension	181×74×105mm
	Protection grade	IP67
	Recognition distance	≥1200m (1.7 × 0.5 human target) (720m Minimum distance)
	Observation accuracy	≥1800m (2.3 × 2.3vehicle target) (1080m Minimum distance)
	Reticle adjustment sign	±15mil
	Reticle adjustment accuracy	≤0.4mil
	Impact	1000G
	Operating temperature	-40°C...55°C
	Storage temperature	-43°C...70°C
	Humidity	95%±3%
	Altitude	≤5000m
	Operational adaptability	All -weather
	Firing reliability	12,500 rounds of live fire
	Software Interface	Data output Video output
	Hardware Interface	External Power Supply /USB /PAL /RS232/WIFI Data/Video output via cable
	Mechanical Interface	Picatinny rail